



Türk Traktör

DAIICHI
INFOTAINMENT SYSTEMS

TURK TRAKTOR

DA228BT 1DIN

Size User Manuel

February 2022 Ver.1.2

1. Warning	2
2. Device Introduction	3
General Features.....	3
3. Keypad and Functions	4-6
4. Settings	7
5. Bluetooth Connection	8
Bluetooth Pairing.....	8
Answering Phone.....	8
End Call / Reject Call.....	8
Bluetooth Music.....	8
6. Connection Diagram	9
7. Troubleshooting	10
8. Warranty Certificate	11
9. Warranty Conditions	12

For product specifications and information, the operating instructions are for reference only. Information in this manual is subject to change without notice. We reserve the right to change or improve our products without obligation to warn any person or organization.

Security Reminder

For your safety, please do not use the entertainment system's display while driving. Adjust the volume so that you can hear the ambient sound. Before operating the system, please read this manual carefully to obtain information on safety warnings and warning labels, and retain them for future reference.

Please obey traffic rules.

If you encounter difficulties or need to start the system, please park your vehicle in a safe place.

To prevent injury or damage to the system, please do not allow children to operate the system.

Observe the regulations of your country when using the device system.

Do not use the system in areas with electronic equipment or in the open area.

It is forbidden to use the system in places where there is a possibility of fire, such as a gas station or chemical components, or in strong electromagnetic fields.

Do not attempt to repair this product; please contact an authorized dealer.

Installation and repair of the system should only be carried out by professional and trained personnel.

The system must be kept away from hazardous environments and away from direct sunlight.

Do not scratch the screen with sharp or blind objects and apply pressure to the screen; these will damage the screen.

Do not leave the system in a humid environment and do not pour any liquid into it.



GENERAL FEATURES:

- Radio Function
- USB Function
- SD Function
- AUX Function
- Bluetooth Function



- ① **>>| Button:** Press this button briefly to go to the next station in radio mode. 2 seconds for manual forward search. by pressing and holding the button. While in USB / SD / BT MUSIC mode, press this button briefly to go to the next song. As long as you press and hold this button, you can fast forward the current song.
- ② **Power / Mute (PWR / MUTE) Button:** Press this button short or long to turn off the device. Use this button to mute or unmute the device.
- ③ **| << Button:** Press this button briefly to go to the previous station when in radio mode. 2 seconds for manual callback. by pressing and holding the button. While in USB / SD / BT MUSIC mode, press this button briefly to go to the previous song. As long as you hold down this button, you can quickly rewind the song that is playing.
- ④ **VOLUME +/- Knob:** You can adjust the volume of the device by turning this knob to the right / left. You can scroll through the settings menu by briefly pressing this button. You can access AF, TA, VOL, BAS, TRE, BAL, FAD, LOU, EQ respectively. You can adjust the setting by turning this knob to the right / left. Long press this button to set the device clock
- ⑤ **F / PS Button:** When in radio mode, press this button for 5 seconds of pre-listening between preset stations. Press and hold this button to find and automatically store radio stations. Press this button again to stop searching during station search. Press this button to end the call or reject an incoming call in the Bluetooth menu.
- ⑥ **Mode / Answer Button:** Use this button to switch between FM / USB / SD / AUX / BT modes. Use this button to answer an incoming call. In Radio mode, press and hold this button to activate the Traffic Announcement function.

Keypad & Functions

- ⑦ **BND / ID3 Button:** Press this button briefly to switch between FM1, FM2, FM3 bands in radio mode. When playing an MP3 file with ID3 tag information in USB / SD mode, press BND / ID3 repeatedly to display the ID3 tag information on the LCD screen. The ID3 tag information will be: Folder - File - Title - Artist - Album
- ⑧ **1 / Play / Pause Button:** In radio mode, press briefly to play the preset station 1. Press and hold this button for a while to store the currently playing radio station in memory 1. In USB / SD / BT mode, press this button to stop or restart the currently playing song.
- ⑨ **2 / INT (INT) Button:** In radio mode, press briefly to play preset number 2. Press and hold this button for a while to store the currently playing radio station in memory 2. Use this button to pre-listen each song for 10 seconds while in USB / SD mode.
- ⑩ **3 / Repeat (RPT) Button:** In radio mode, press briefly to play preset number 3. Press and hold this button for a while to store the currently playing radio station in memory 3. In USB / SD / mode, use this button to repeat the song, repeat the folder, or play all songs again.
- ⑪ **4 / Random (RDM) Button:** In radio mode, press briefly to play preset number 4. Press and hold this button for a while to store the currently playing radio station in memory 4. Use this button to play songs sequentially or randomly in USB / SD mode.
- ⑫ **5 / Previous Folder Button:** Press briefly to play the preset number 5 station in radio mode. Press and hold this button for a while to store the currently playing radio station in memory 5. In USB / SD mode, briefly press this button to move to the previous folder.
- ⑬ **6 / Next Folder Button:** Press briefly to play the preset number 6 station in radio mode. Press and hold this button for a while to store the currently playing radio station in memory 6. In USB / SD mode, briefly press this button to move to the next folder.
- ⑭ **AUX Input Socket:** You can connect external units such as MP3 player or phone to this input

- ⑮ **USB Port:** Connect a USB memory to play a music file in MP3 / WMA / WAV format.
- ⑯ **SD Port:** Insert an SD card to play a music file in MP3 / WMA / WAV format.
- ⑰ **LCD Display:** Displays the digital clock and information about the selected function.

Settings

1. SOUND Level

Use the VOLUME +/- button to adjust the volume. Max. Sound level: 40

2. BASS Adjustment

Press the VOLUME button repeatedly until "BAS 00" appears on the display. Use VOLUME +/- to change the setting. Bass control is not available when EQ is on.

3. TREBLE Adjustment

Press the VOLUME button repeatedly until "TRE 00" appears on the display. Use VOLUME +/- to change the setting. Treble control is not available when EQ is on.

4. BAL (Speaker Balance)

Press the VOLUME button repeatedly until "BAL 00" appears on the display, then use the VOLUME / +/- button to adjust the balance between the left and right speakers.

5. FADE (Front-Rear Speaker Balance)

Press the VOLUME button repeatedly until "FAD 00" appears on the display, then use the VOLUME +/- button to adjust the balance between the front and rear speakers.

6. LOUD (Loudness Control)

Press the VOLUME button repeatedly until "LOU OFF" appears on the display. Turn the VOLUME +/- control to select between ON and OFF.

7. EQ (Equalizer Function Preset)

Press the VOLUME button repeatedly until "EQ OFF" appears on the display, then turn the VOLUME +/- button to select from the EQ sound effects. The order of the equalizer settings will be as follows: EQ OFF / CLASS / ROCK / POP

8. DX / LOCAL (Broadcast Signal Quality Control)

In FM radio mode, press the SOUND button repeatedly until "DX" appears on the display. Turn the VOLUME +/- knob to select between "LOCAL" or "DX". The local and remote broadcast setting can improve the radio broadcast quality depending on the location.

9. MONO / STEREO (Broadcast Sound Quality Control)

In FM radio mode, press the VOLUME button repeatedly until "STEREO" appears on the display. Turn the VOLUME +/- knob to select between STEREO or MONO. To improve the broadcast quality of remote stations, the "MONO" operation can be selected, which may slightly reduce the broadcast noise.

10. CLOCK Setting

In any menu, press and hold the VOLUME button until the time display appears. After the time comes, press and hold the VOLUME button again, turn VOLUME +/- to set the time, press the VOLUME button again and set the minute.

① Bluetooth Pairing

To pair with Bluetooth, make a device search from your phone's bluetooth menu. Then contact "Car BT" on your phone. Connection will display "BT ON".

② Answering the Phone

When the call comes in, the caller's number appears on the display. To answer an incoming call, press the F / PS / PHONE button on the panel.

When you make a call, "CALL" is displayed.

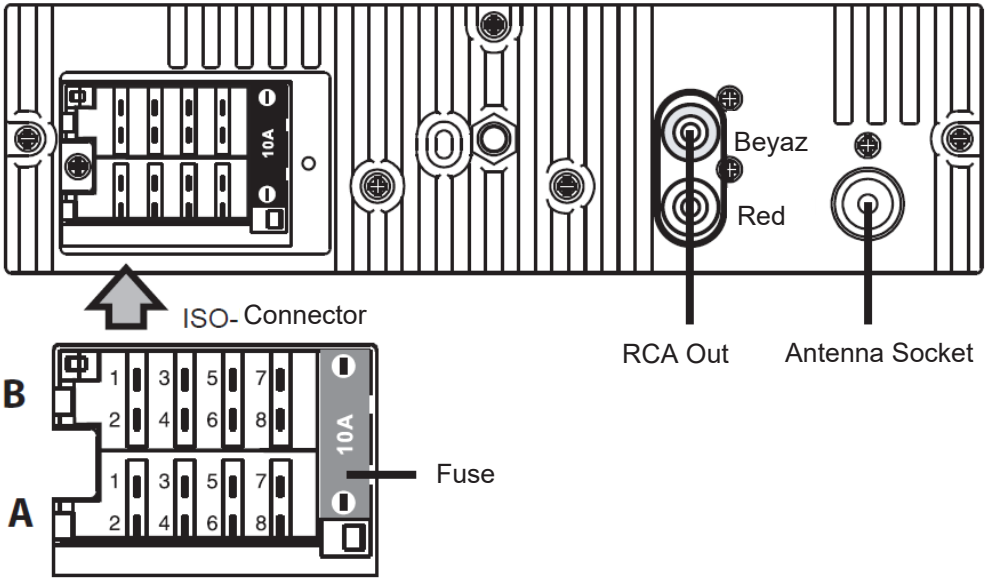
③ End Call / Reject Call

Press the MODE / PHONE button to end the call. Press the MODE / PHONE button to reject the call.

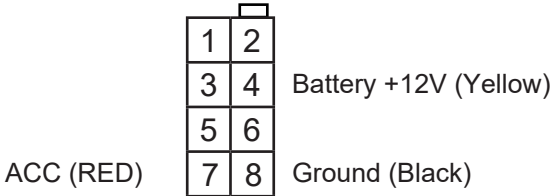
⑤ Bluetooth Music

To listen to music on your phone via the device, first switch to BT MENU with the MODE button on the panel, then press the 1 button.

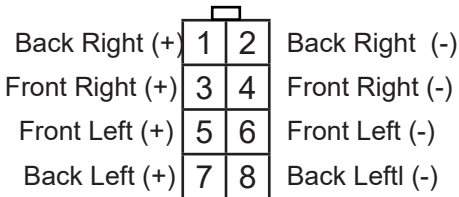
Connection Diagram



(A) ISO Power Supply Socket Connections



(B) ISO Speaker Socket Connections



Problem	Reason	Solution
The device does not work.	The power connection is faulty.	Check that the power connections are correct.
	Fuse blown.	Replace the fuse.
No sound.	The volume is minimum.	Increase the volume.
	No speaker connection is made.	Check the speaker cable connections.
The radio does not operate or the automatic station search function does not work.	The antenna cable is not connected or the radio frequency is too weak.	Make sure the antenna cable is firmly connected and perform the station search manually.
The device works but the song does not play.	The song you want to play is not in a suitable format.	Make sure the song is an MP3 / WMA format song.
Exposure to static electricity above 4KV results in an automatic reset of the system.	Provide electrostatic protection.	Restart the device.
The device does not read USB.	The USB used is empty or corrupted.	Another USB should be tried, the USB used should be tried in another vehicle.
Cannot make Bluetooth connection.	The Bluetooth module of the device to be paired may be painful	A connection with another phone should be tried, and the phone that is not connected should be tried in another vehicle. If the problem persists, go to the nearest service center for repairs



Importer Company

**Daiichi Electronic
Industry and Trade Co.,
Ltd.**

Technical Service:

Ferhatpaşa AVE.
16. St. No: 38 - 34888
Ataşehir / İstanbul
Tel: 0216 471 85 70-75
info@daiichi.com
servis1@net1elektronik.com

Warranty Certificate

Product information

Type: Sound System

Brand Name: Daiichi

Model: DA228BT

Warranty Period: 2 Years

Maximum Repair Time: 20 business days

Bandrol and Serial No:

In this document, Daiichi Elektronik San. Ve Tic. Inc. declares that the above equipment complies with Directive 2014/53 / EU. The full text of EC Declaration of Conformity is available at the following internet address: [http: // https: // www.daiichi.com/about/ warranty](http://www.daiichi.com/about/warranty) is valid within the borders of Turkey.

Authorized Dealer Information

Company Name:

Address:

Phone:

Fax:

email:

Invoice Date and Number:

**Delivery Date and Place: Signature of
the Official and Company Stamp**

1. The warranty period starts from vehicle registration date and limited with 2 years.
Warranty procedure is only valid in Turkey
2. All parts including the goods are covered by the warranty.
3. If the goods are found to be defective (read article 8 for defective goods) the consumer;
 - a. Return from the contract,
 - b. Asking for discount from sales price,
 - c. Request free repair,
 - d. Requesting the replacement of the solder to be replaced by a non-defective amount may exercise one of its rights.
4. If the consumer chooses the right to repair free of charge, the seller; is obliged to repair or have the product repaired without any cost under labor cost, replacement part cost or any other name. The consumer may also exercise the right to free repair against the manufacturer or importer. The seller, producer and importer are jointly responsible for exercising this right by the consumer.
5. If the consumer uses the right to repair free of charge;
 - a. Failure within the warranty period,
 - b. Exceeding the maximum time required for repair,
- c. In the event that it is not possible to repair it by a report from the authorized service station, seller, manufacturer or importer; the consumer may demand the return of the goods, the discount of the defect rate or the replacement of the goods with defective times if possible. The seller may not reject the consumer's request. If this request is not fulfilled, the seller, manufacturer and importer are jointly and severally liable.
6. The maintenance and repair period of the goods at the authorized service stations may not exceed the maximum repair period. This period starts from the date of delivery of the goods to the authorized service station or the seller during the warranty period. Consumer failure notification; telephone, fax, e-mail, registered mail and return. In case of dispute, the burden of proof belongs to the consumer.
7. Malfunctions resulting from the use of the goods contrary to the "Operating Instructions Mal are not covered by the warranty. In addition, the device will be out of warranty under the following conditions; The customer should pay attention to;
 - a. Problems caused by all electrical faults and interventions outside the device
 - b. Faults caused by external factors (water, excessive moisture, external impact, impact, fire, lightning strike) chemical agents and pollination effect)
 - c. Mounting / installing / connecting non-genuine parts or accessories not approved by the manufacturer
 - d. Daiichi Electronics Co., Ltd. Installation or intervention by persons other than authorized service
 - e. Products whose serial number has been altered or destroyed
 - f. Damaged devices on the warranty certificate

ARTICLE 8

- a. Defective goods are goods that are contrary to the contract at the time of delivery to the consumer because they do not conform to the sample or model agreed by the parties or do not carry the characteristics that should be objectively possessed.
 - b. Not carrying one or more of the features contained in its packaging, label, identification and user guide, internet portal or advertisements and advertisements; that is contrary to the quality reported by the seller or as determined in the technical regulation; goods that do not meet the intended use of their counterparts, which reduce or eliminate the benefits reasonably expected by the consumer, are also considered defective.
 - c. Failure to deliver the goods subject to the contract within the time specified in the contract, or to assemble the assembly properly, under the responsibility of the seller, is considered to be contrary to the contract. In cases where the installation of the goods is foreseen by the consumer, if the installation is done incorrectly due to inaccuracy or omission in the installation instruction, it will be performed contrary to the contract.
9. Consumer, the warranty arising from the exercise of rights arising from the settlement of the settlement
10. If this Warranty Certificate is not provided by the seller, the consumer may apply to the General Directorate of Consumer Protection and Market Surveillance of the Ministry of Customs and Trade..

A large area of horizontal dotted lines for writing notes, consisting of 30 rows of evenly spaced dots.



Technical Support Contact Center

Ferhatpaşa AVE. 16. ST. No: 38 -
34888 Ataşehir / İstanbul

Tel: + 90 (216) 661 50 59

Tel: + 90 (216) 471 85 70

Tel: + 90 (216) 471 85 75

www.daiichi.com

info@daiichi.com

servis1@net1elektronik.com



Türk Traktör

DAIICHI
INFOTAINMENT SYSTEMS

TÜRK TRAKTÖR
DA228BT Ses
Sistemi Kullanım
Kılavuzu

Şubat 2022 Ver.1.2

1. Uyarı	2
2. Cihaz Tanıtımı	3
Genel Özellikler.....	3
3. Tuş Takımı ve Fonksiyonlar	4-6
4. Ayarlar	7
5. Bluetooth Bağlantısı	8
Bluetooth Eşleştirme.....	8
Telefon Cevaplama.....	8
Görüşme Sonlandırma / Çağrı Reddetme.....	8
Bluetooth Müzik.....	8
6. Bağlantı Şeması	9
7. Sorun Giderme	10
8. Garanti Belgesi	11
9. Garanti Şartları	12

Ürünün teknik özellikleri ve bilgiler için kullanma kılavuzu yalnızca başvuru amaçlıdır. Bu kılavuzdaki bilgiler uyarı olmaksızın değişime tabidir. Herhangi bir şahsı ya da kuruluşu uyarma yükümlülüğü olmaksızın ürünlerimizi değiştirme ya da geliştirme hakkımızı saklı tutarız.

Güvenlik Hatırlatması

Güvenliğiniz için lütfen eğlence sisteminin ekranını sürüş halindeyken kullanmayın. Ses seviyesini, ortam sesini duyabileceğiniz şekilde ayarlayın. Sistemi çalıştırmadan önce, güvenlik uyarıları ve uyarı etiketleri hakkında bilgi edinmek için lütfen bu kılavuzu dikkatli bir şekilde okuyun ve ileride başvurmak üzere saklayın.

Lütfen trafik kurallarına uyun.

Bir zorlukla karşılaşırsanız ya da sistemi çalıştırmamız gerekirse lütfen aracınızı güvenli bir yere park edin.

Yaralanmaları ya da sisteme gelecek hasarları önlemek için lütfen çocukların sistemi çalıştırmasına izin vermeyin.

Cihazı sistemini kullanırken ülkenizin yönetmeliğine uyun.

Elektronik cihazların bulunduğu ya da açık olduğu alanlarda sistemi kullanmayın.

Sistemin benzin istasyonu ya da kimyasal bileşenler gibi yangın ihtimali olan yerlerde ya da güçlü elektromanyetik alanlarda kullanılması yasaktır.

Bu ürünü tamir etmeye çalışmayın; lütfen yetkili bir bayi ile iletişime geçin.

Sistemin kurulum ya da tamirat işleri yalnızca profesyonel ve eğitilmiş kişiler tarafından yapılmalıdır.

Sistem tehlikeli ortamlardan ve doğrudan güneş ışığından uzak tutulmalıdır.

Ekranı keskin ya da kör nesnelere çizmeyin ve ekrana baskı uygulamayın; bunlar ekrana zarar verir.

Sistemi nemli bir ortamda bırakmayın ve içerisine herhangi bir sıvı dökmeyin.



GENEL ÖZELLİKLERİ:

- Radyo Fonksiyonu
- USB Fonksiyonu
- SD Fonksiyonu
- AUX Fonksiyonu
- Bluetooth Fonksiyonu



- ① **>>| Düğmesi:** Radyo modundayken sonraki istasyona gitmek için bu düğmeye kısaca basın. Manuel ileri arama yapmak için 2 sn. düğmeye basılı tutarak aktif edebilirsiniz. USB / SD / BT MUZIK modundayken de bir sonraki şarkıya gitmek için bu düğmeye kısaca basın. Bu düğmeye basılı tuttuğunuz sürece çalan şarkıyı hızlıca ileriye sarabilirsiniz.
- ② **Güç / Sessiz (PWR / MUTE) Düğmesi:** Cihazı açmak bu düğmeye kısa veya kapatmak için uzun basın. Cihazın sesini kapatmak veya açmak için bu düğmeyi kullanın.
- ③ **|<< Düğmesi:** Radyo modundayken önceki istasyona gitmek için bu düğmeye kısaca basın. Manuel geri arama yapmak için 2 sn. düğmeye basılı tutarak aktif edebilirsiniz. USB / SD / BT MUZIK modundayken de bir önceki şarkıya gitmek için bu düğmeye kısaca basın. Bu düğmeye basılı tuttuğunuz sürece çalan şarkıyı hızlıca geriye sarabilirsiniz.
- ④ **SES +/- Düğmesi:** Cihazın ses seviyesini bu düğmeyi sağa / sola çevirerek ayarlayabilirsiniz. Bu düğmeye kısa kısa basarak ayarlar menüsünde gezebilirsiniz. Sırasıyla AF, TA, VOL, BAS, TRE, BAL, FAD, LOU, EQ ayarlarına ulaşabilirsiniz. Seçtiğiniz ayarı bu düğmeyi sağa / sola çevirerek ayarlayabilirsiniz. Cihazın saat ayarını yapmak için bu düğmeye uzun basın
- ⑤ **F / PS Düğmesi:** Radyo modundayken, hafızaya kayıtlı istasyonlar arasında 5'er saniye ön dinleme yapmak için bu düğmeye basın. Radyo istasyonlarını bulmak ve otomatik olarak hafızaya kaydetmek için bu düğmeye uzun basın. İstasyon arama işlemi sırasında aramayı durdurmak için tekrar bu düğmeye basın. Bluetooth menüsünde görüşmeyi sonlandırmak veya gelen aramayı reddetmek için bu düğmeye basın.
- ⑥ **Mod / Cevapla Düğmesi:** FM / USB / SD / AUX / BT modları arasında geçiş yapmak için bu düğmeyi kullanın. Gelen aramayı cevaplamak için bu düğmeyi kullanın. Radyo modundayken Trafik Anons fonksiyonunu etkinleştirmek için bu düğmeye uzun basın.

Tuş Takımı & Fonksiyonları

- ⑦ **BND / ID3 Düşmesi:** Radyo modundayken FM1, FM2, FM3 bantları arasında geçiş yapmak için bu düğmeye kısaca basın. USB / SD modundayken ID3 etiket bilgisine sahip bir MP3 dosyası çalarken, LCD ekranda ID3 etiket bilgisini görüntülemek için BND / ID3 düğmesine art arda basın. ID3 etiket bilgisi şu şekilde olacaktır: Klasör - Dosya - Başlık - Sanatçı – Albüm
- ⑧ **1 / Oynat / Duraklat Düşmesi:** Radyo modundayken önceden 1 numaralı hafızaya alınmış istasyonu çalmak için kısaca basın. Çalınmakta olan radyo istasyonunu 1 numaralı hafızaya kaydetmek için bu düğmeye bir müddet basılı tutun. USB / SD / BT modundayken çalınmakta olan şarkıyı durdurmak veya tekrar başlatmak için bu düğmeye basın.
- ⑨ **2 / Tanıtım (INT) Düşmesi:** Radyo modundayken önceden 2 numaralı hafızaya alınmış istasyonu çalmak için kısaca basın. Çalınmakta olan radyo istasyonunu 2 numaralı hafızaya kaydetmek için bu düğmeye bir müddet basılı tutun. USB / SD modundayken her şarkıyı 10 saniye ön dinleme yapmak için bu düğmeyi kullanın.
- ⑩ **3 / Tekrarla (RPT) Düşmesi:** Radyo modundayken önceden 3 numaralı hafızaya alınmış istasyonu çalmak için kısaca basın. Çalınmakta olan radyo istasyonunu 3 numaralı hafızaya kaydetmek için bu düğmeye bir müddet basılı tutun. USB / SD / modundayken şarkıyı tekrar, klasörü tekrar veya bütün şarkıları tekrar çalmak için bu düğmeyi kullanın.
- ⑪ **4 / Rastgele (RDM) Düşmesi:** Radyo modundayken önceden 4 numaralı hafızaya alınmış istasyonu çalmak için kısaca basın. Çalınmakta olan radyo istasyonunu 4 numaralı hafızaya kaydetmek için bu düğmeye bir müddet basılı tutun. USB / SD modundayken şarkıları sırasıyla veya rastgele çalmak için bu düğmeyi kullanın.
- ⑫ **5 / Önceki Klasör Düşmesi:** Radyo modundayken önceden 5 numaralı hafızaya alınmış istasyonu çalmak için kısaca basın. Çalınmakta olan radyo istasyonunu 5 numaralı hafızaya kaydetmek için bu düğmeye bir müddet basılı tutun. USB / SD modundayken önceki klasöre geçmek için ise bu düğmeye kısaca basın.
- ⑬ **6 / Sonraki Klasör Düşmesi:** Radyo modundayken önceden 6 numaralı hafızaya alınmış istasyonu çalmak için kısaca basın. Çalınmakta olan radyo istasyonunu 6 numaralı hafızaya kaydetmek için bu düğmeye bir müddet basılı tutun. USB / SD modundayken sonraki klasöre geçmek için ise bu düğmeye kısaca basın.
- ⑭ **AUX Giriş Soketi:** MP3 çalar veya telefon gibi harici üniteleri bu girişte takabilirsiniz

- ⑮ **USB Port:** MP3 / WMA / WAV formatında bir müzik dosyasını çalabilmek için USB bellek bađlayın.
- ⑯ **SD Port:** MP3 / WMA / WAV formatında bir müzik dosyasını çalabilmek için SD kart takın.
- ⑰ **LCD Ekran:** Dijital saati ve seçilen fonksiyona ilişkin bilgileri gösterir.

1. SES Seviyesi

Ses seviyesini ayarlamak için SES +/- düğmesini kullanın. Max. ses seviyesi: 40

2. BAS Ayarı

Ekranda "BAS 00" görünene kadar SES düğmesine art arda basın. Ayarı değiştirmek için SES +/- düğmesini kullanın. EQ açıkken bas kontrolü kullanılamaz.

3. TIZ Ayarı

Ekranda "TRE 00" görünene kadar SES düğmesine art arda basın. Ayarı değiştirmek için SES +/- düğmesini kullanın. EQ açıkken tiz kontrolü kullanılamaz.

4. BAL (Hoparlör Balans Ayarı)

Ekranda "BAL 00" görünene kadar SES düğmesine art arda basın, ardından sol ve sağ hoparlörler arasındaki balansı ayarlamak için SES +/- düğmesini kullanın.

5. FADE (Ön-Arka Hoparlör Balansı)

Ekranda "FAD 00" görünene kadar SES düğmesine art arda basın, ardından ön ve arka hoparlörler arasındaki balansı ayarlamak için SES +/- düğmesini kullanın.

6. LOUD (Yüksek Ses Kontrolü)

Ekranda "LOU OFF" görünene kadar SES düğmesine art arda basın. ON ve OFF arasında seçim yapmak için SES +/- kontrol düğmesini çevirin.

7. EQ (Ekolayzır Fonksiyonu Ön Ayarı)

Ekranda "EQ OFF" görünene kadar SES düğmesine art arda basın, ardından EQ ses efektleri arasından seçim yapmak için SES +/- düğmesini çevirin. Ekolayzır ayarlarının sıralaması şu şekilde olacaktır: EQ OFF / CLASS / ROCK / POP

8. DX / LOKAL (Yayın Sinyal Kalitesi Kontrolü)

FM radyo modundayken ekranda "DX" yazana kadar SES düğmesine art arda basın. "LOCAL" veya "DX" arasında seçim yapmak için SES +/- düğmesini çevirin. Yerel ve uzaktan yayın ayarı, konuma bağlı olarak radyo yayın kalitesini iyileştirebilir.

9. MONO / STEREO (Yayın Ses Kalitesi Kontrolü)

FM radyo modundayken ekranda "STEREO" yazana kadar SES düğmesine art arda basın. STEREO veya MONO arasında seçim yapmak için SES +/- düğmesini çevirin. Uzak istasyonların yayın kalitesini iyileştirmek için, yayın gürültüsünü biraz azaltabilecek "MONO" işlemi seçilebilir.

10. SAAT AYARI

Herhangi bir menüdeyken saat ekranı gelene kadar SES düğmesine basılı tutun. Saat geldikten sonra SES düğmesine tekrar basılı tutun, saati ayarlamak için SES +/- çevirin, tekrar SES düğmesine basın ve dakikayı ayarlayın.

① Bluetooth Eşleřtirme

Bluetooth eşleřtirmek için telefonunuzun bluetooth menüsünden cihaz araması yapın. Daha sonra telefonunuzdan "Car BT" ile baęlantı kurun. Baęlantı saęlandığında ekranda "BT ON" yazacaktır.

② Telefonu Cevaplama

Arama geldiğinde, ekranda arayan kiřinin numarası görünür. Gelen aramayı cevaplamak için panel üzerindeki F / PS / TELEFON butonuna basın. Arama yaptığınızda ise, ekrana "CALL" yazısı gelmektedir.

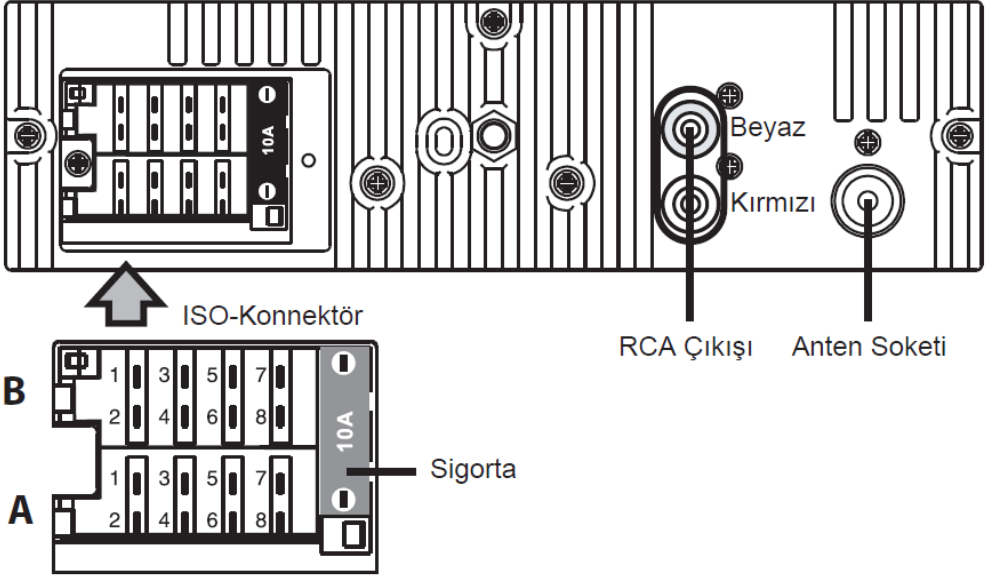
③ Görüşme Sonlandırma / Çaęrı Reddetme

Görüşmeyi sonlandırmak için MOD / TELEFON butonuna basın. Çaęrı reddetmek için MOD / Telefon butonuna basın.

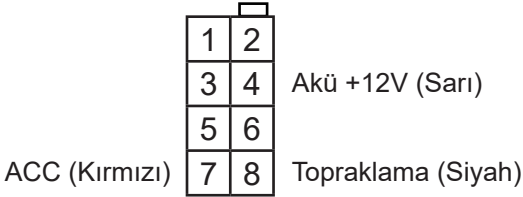
④ Bluetooth Müzik

Telefonunuzdaki müzikleri cihaz üzerinden dinlemek için önce panel üzerindeki MODE düęmesine yardımıyla BT MENU geçin daha sonra 1 butonuna basın.

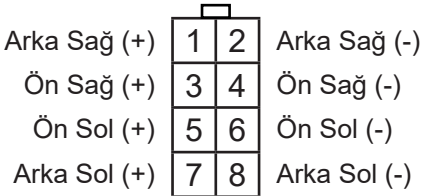
Bağlantı Şeması



(A) ISO Güç Besleme Soket Bağlantısı



(B) ISO Hoparlör Soket Bağlantısı



Sorun	Sebeup	Çözüm
Cihaz çalışmıyor.	Güç bağlantısı hatalıdır.	Güç bağlantılarının doğru olup olmadığını kontrol ediniz.
	Sigorta atmıştır.	Sigortayı değiştiriniz.
Ses çıkmıyor.	Ses seviyesi minimumdadır.	Ses seviyesini yükseltiniz.
	Hoparlör bağlantısı yapılmamıştır.	Hoparlör kablo bağlantılarını kontrol ediniz.
Radyo çalışmıyor veya otomatik istasyon arama fonksiyonu çalışmıyor.	Anten kablosu bağlanmamıştır veya radyo yayın frekansı çok zayıftır.	Anten kablosunun sıkıca takılı olduğundan emin olunuz ve istasyon aramayı manuel olarak yapınız.
Cihaz çalışıyor fakat şarkı çalmıyor.	Çalmak istediğiniz şarkı uygun bir formatta değildir.	Şarkının MP3 / WMA formatlı bir şarkı olduğundan emin olunuz.
Cihazın 4KV üzerinde statik elektriğe maruz kalması, sistemin otomatik olarak resetlenmesine yol açar.	Elektrostatik koruma sağlayın.	Cihazı restart yapınız.
Cihaz USB okumuyor.	Kullanılan USB boş veya bozuktur.	Başka bir USB denenmeli, kullanılan USB başka bir araçta denenmeli.
Bluetooth bağlantısı yapılamıyor.	Eşleştirilmek istenilen cihazın Bluetooth modülü ağızalı olabilir	Başka bir telefon ile bağlantı denenmeli, bağlanmayan telefon başka bir araçta denenmeli. Sorun hâlâ devam ediyorsa en yakın servise gidip onarım yapılması için başvurulmalıdır.



İthalatçı Firma Daiichi
Elektronik Sanayi ve
Ticaret A.Ş.

Teknik Servis:
Ferhatpaşa Mh.
16. Sk. No: 38 - 34888
Ataşehir / İstanbul Tel:
0216 471 85 70-75
info@daiichi.com
servis1@net1elektronik.com

Garanti Belgesi

Ürün Bilgileri

Cinsi: Ses Sistemi

Markası: Daiichi

Modeli: DA228BT

Garanti Süresi: 2 Yıl

Azami Tamir Süresi: 20 iş günü

Bandrol ve Seri No:

İşbu belge ile Daiichi Elektronik San. Ve Tic. A.Ş. yukarıdaki ekipmanının 2014 / 53 / EU sayılı direktife uygun olduğunu beyan eder. AB uygunluk beyanının tam metni aşağıdaki internet adresinden edinilebilir: <http://https://www.daiichi.com/about/>
Garanti Türkiye sınırları içerisinde geçerlidir.

Yetkili Satıcı Bilgileri

Ünvanı:

Adresi:

Telefonu:

Faks:

e-Posta:

Fatura Tarih ve Sayısı:

Teslim Tarihi ve Yeri:

Yetkilinin İmzası ve Firma Kaşesi

1. Garanti süresi araç tescil tarihinden itibaren başlar ve 2 yıl ile sınırlıdır.
Garanti prosedürü sadece Türkiye'de geçerlidir.
2. Malın bütün parçaları dahil olmak üzere tamamı garanti kapsamındadır.
3. Malın ayıplı olduğunun anlaşılması durumunda (ayıplı mal için madde 8'i okuyunuz) tüketici;
 - a. Sözleşmeden dönme,
 - b. Satış bedelinden indirim isteme,
 - c. Ücretsiz onarılmasını isteme,
 - d. Satılanın ayıpsız bir misli ile değiştirilmesini isteme, haklarından birini kullanabilir.
4. Tüketicinin bu haklardan ücretsiz onarım hakkını seçmesi durumunda satıcı; işçilik masrafı, değiştirilen parça bedeli ya da başka herhangi bir ad altında hiçbir ücret talep etmeksizin malın onarımını yapmak veya yaptırmakla yükümlüdür. Tüketici ücretsiz onarım hakkını üretici veya ithalatçıya karşı da kullanabilir. Satıcı, üretici ve ithalatçı tüketicinin bu hakkını kullanmasından müteselsilen sorumludur.
5. Tüketicinin, ücretsiz onarım hakkını kullanması halinde malın;
 - a. Garanti süresi içinde tekrar arızalanması,
 - b. Tamiri için gereken azami sürenin aşılması,
 - c. Tamirinin mümkün olmadığı, yetkili servis istasyonu, satıcı, üretici veya ithalatçı tarafından bir raporla belirlenmesi durumlarında; tüketici malın bedel iadesini, ayıp oranında bedel indirimini veya imkân varsa malın ayıpsız misli ile değiştirilmesini satıcıdan talep edebilir. Satıcı, tüketicinin talebini reddedemez. Bu talebin yerine getirilmemesi durumunda satıcı, üretici ve ithalatçı müteselsilen sorumludur.
6. Kullanım ömrü süresince malın yetkili servis istasyonlarındaki bakım ve onarım süresi azami tamir süresini geçmez. Bu süre, garanti süresi içerisinde mala ilişkin arızanın yetkili servis istasyonuna veya satıcıya bildirilip malın teslim edildiği tarihten itibaren başlar. Tüketici arıza bildirimini; telefon, faks, e-posta, iadeli taahhütlü mektup ve benzeri bir yolla yapabilir. Uyuşmazlık halinde bildirimle ilişkin ispat yükümlülüğü tüketiciye aittir.
7. Malın "Kullanma Kılavuzunda" yer alan hususlara aykırı kullanılmasından kaynaklanan arızalar garanti kapsamı dışındadır. Ayrıca, cihaz aşağıdaki koşullarda garanti kapsamı dışında kalacaktır; Müşterinin dikkat etmesi gereken hususlar;
 - a. Cihazın dışındaki tüm elektrik hatalarından ve müdahalelerinden dolayı oluşan problemler
 - b. Dış etkenlerden kaynaklanan arızalar (su, aşırı nem, dışarıdan darbe, çarpma, yangın, yıldırım düşmesi kimyasal etkenler ve tozlanma etkisi)
 - c. Orijinal olmayan ve üretici tarafından onaylanmamış parçaların veya aksesuarların cihaza montajı/takılması / bağlanması
 - d. Daiichi Elektronik A.Ş. Yetkili servisi haricindeki kişilerce yapılan montaj veya müdahaleler
 - e. Seri numarası değiştirilmiş veya tahrip edilmiş ürünler
 - f. Garanti belgesi üzerinde tahribat yapılmış cihazlar

MADDE 8

- a. Ayıplı mal, tüketiciye teslimi anında, taraflarca kararlaştırılmış olan örnek ya da modele uygun olmaması ya da objektif olarak sahip olması gereken özellikleri taşıyamaması nedeniyle sözleşmeye aykırı olan maldır.
- b. Ambalajında, etiketinde, tanıtma ve kullanma kılavuzunda, internet portalında ya da reklam ve ilanlarında yer alan özelliklerinden bir veya birden fazlasını taşımayan; satıcı tarafından bildirilen veya teknik düzenlemesinde tespit edilen niteliğe aykırı olan; muadili olan malların kullanım amacını karşılamayan, tüketicinin makul olarak beklediği faydaları azaltan veya ortadan kaldıran maddi, hukuki veya ekonomik eksiklikler içeren mallar da ayıplı olarak kabul edilir.
- c. Sözleşmeye konu olan malın, sözleşmede kararlaştırılan süre içinde teslim edilmemesi veya montajının satıcı tarafından veya onun sorumluluğu altında gerçekleştirildiği durumlarda gereği gibi monte edilmemesi sözleşmeye aykırı ifa olarak değerlendirilir. Malın montajın tüketici tarafından yapılmasından öngörüldüğü hallerde, montaj talimatındaki yanlışlık veya eksiklik nedeniyle montaj hatalı yapılmışsa, sözleşmeye aykırı ifa söz konusu olur.
9. Tüketici, garantiden doğan haklarının kullanılması ile ilgili olarak çıkabilecek uyuşmazlıklarda yerleşim yerinin bulunduğu veya tüketici işleminin yapıldığı yerdeki Tüketici Hakem Heyetine veya Tüketici Mahkemesine başvurabilir.
10. Satıcı tarafından bu Garanti Belgesinin verilmemesi durumunda, tüketici Gümrük ve Ticaret Bakanlığı Tüketicinin Korunması ve Piyasa Gözetimi Genel Müdürlüğüne başvurabilir.



Teknik Destek İletişim Merkezi

Ferhatpaşa Mh. 16. Sk. No: 38 - 34888
Ataşehir / İstanbul

Tel: + 90 (216) 661 50 59

Tel: + 90 (216) 471 85 70

Tel: + 90 (216) 471 85 75

www.daiichi.com

info@daiichi.com

servis1@net1elektronik.com